

200503 BLOWER 1.2 HP AAA 900W 220V/60Hz



Modelo	Watts/HP	Amp	Presion max PSI
APW900-2	900/1.2	5.0	3.48
Vol. de aire m3/min	Nivel de ruido dB (A)	Cant. Jets	Profundidad del agua recomendada (m)
5.0	<84	20-40	1.0

MAXPUMP AIR BLOWER

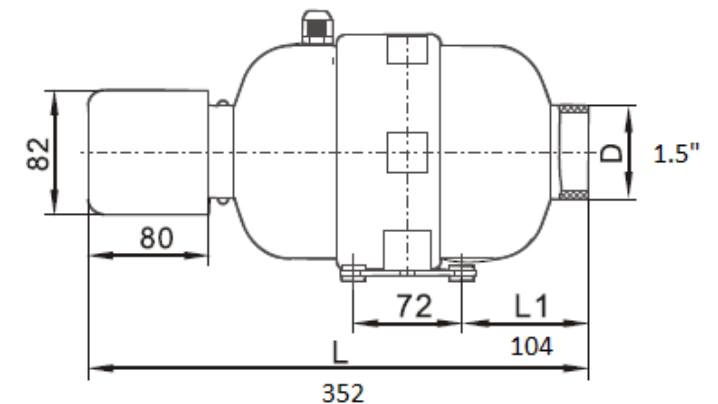
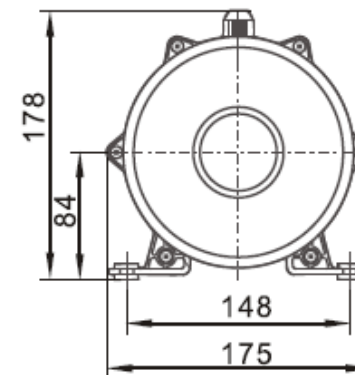
Model: **APW900**

Motor Power P_1 : 900 W

220-240V 60Hz 4.2 A Class 155(F)

THERMALLY PROTECTED

THERE IS FUSE INSIDE THE MOTOR



DESPIECE

